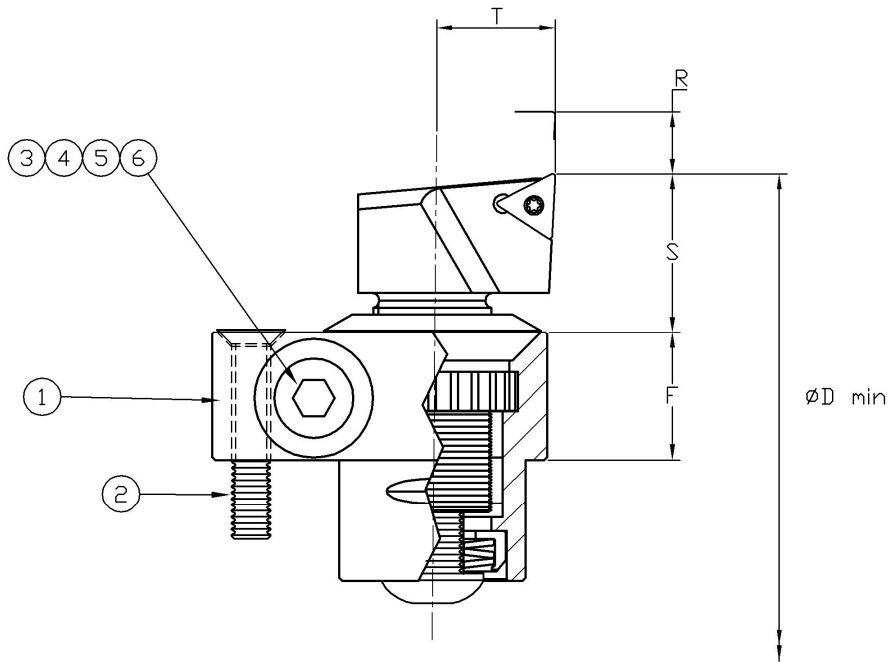


# SFB STYLE GEAR ADJUST BUSHES



Microbore GA Bush	ØD min	S	R	T	F	Microbore GA Unit	Insert
SFB-GA2	29.0	7.7	2.3	7.6	11.5	M022BS095T06-50GA	TC__0602__
SFB-GA3	34.0	8.3	2.8	9.4	13.0	M032BS095T06-50GA	TC__0602__
SFB-GA5	51.0	13.8	3.8	15.0	20.0	M052BS095TC-100GA	TC__1102__
SFB-GA7	70.0	22.5	9.8	19.8	20.5	M0720L095TC-100GA	TC__1102__

NOTE: ØD is the minimum bore size using a bar specially designed for the purpose.

MICROBORE GA BUSHES ARE NOT SUPPLIED WITH GA UNITS. REFER TO MICROBORE UNIT RANGE FOR MORE STYLES OF UNIT AVAILABLE.

G.A. Bush Spares		
SOLD COMPLETE	SOLD SEPARATELY	
GA.Bush 1	Bush Screw 2	G.A. Wrench 3

SFB-GA2	MS103	2842
SFB-GA3	MS106	2842
SFB-GA5	MS112	5842
SFB-GA7	MS109	5842

G.A. Spares		
SOLD ONLY AS A SET		
Worm 4	Spacer 5	Snap Ring 6

NR2821 SPARES SET
NR3821 SPARES SET
NR5821 SPARES SET
NR7821 SPARES SET

MICROBORE STRONGLY ADVISE THAT ANY RECONDITIONING WORK ON GEAR ADJUST BUSHES IS CARRIED OUT BY FACTORY TRAINED TECHNICIANS.