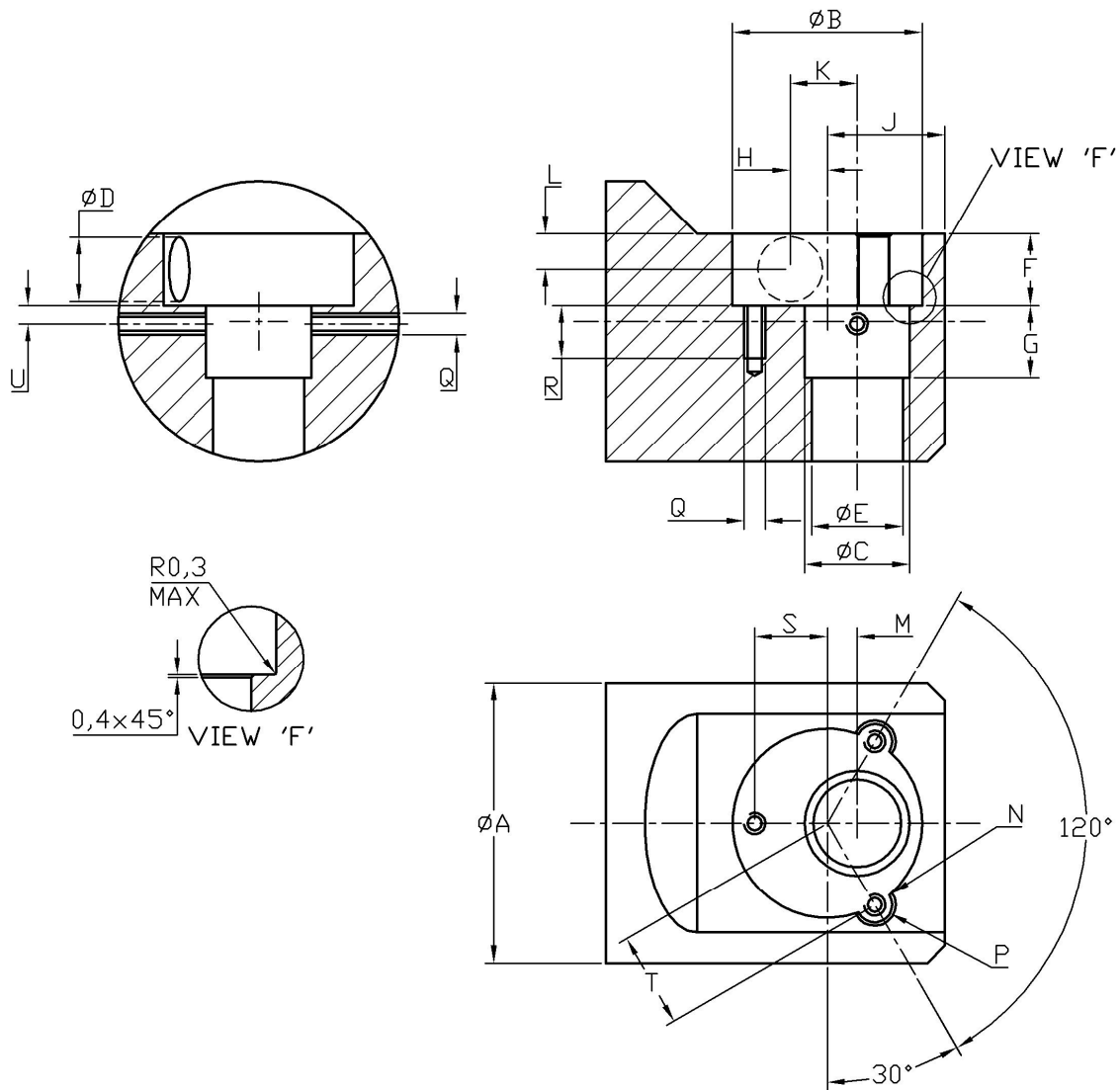


# SFB STYLE GEAR ADJUST ADAPTOR BUSH INSTALLATION INFORMATION



Installation Dimensions

Microbore GA Bush	ØA Min	ØB ±0.10	ØC H7	ØD +0.5	ØE Min	F ±0.10	G Min	H ±0.05	J	K	L ±0.10	M ±0.05	ØN 45°	ØP C/BORE	Q	R Min	S ±0.10	T ±0.10	U
SFB-GA2	27.0	23.1	11.0	10.5	8.0	11.5	9.0	4.5	12.0	7.8	5.4	4.5	6.0	3.2	M3	9.0	8.5	11.5	2.5
SFB-GA3	33.0	28.1	14.0	12.5	11.0	13.0	12.0	5.5	14.5	9.2	6.3	5.5	8.0	4.2	M4	10.0	10.0	14.0	3.5
SFB-GA5	49.0	42.1	20.0	18.5	16.0	20.0	15.0	7.5	21.5	13.7	10.2	7.5	11.0	5.5	M5	12.0	15.0	21.0	3.5
SFB-GA7	62.0	54.1	30.0	18.5	24.0	20.5	20.5	8.5	27.5	19.1	10.2	8.5	12.0	6.4	M6	15.0	20.7	27.0	5.0