

MICROBORE RGA GEAR ADJUST MODULAR BORING RINGS



Supplied with thro' coolant
For use on ABS® 63 compatible adaptors

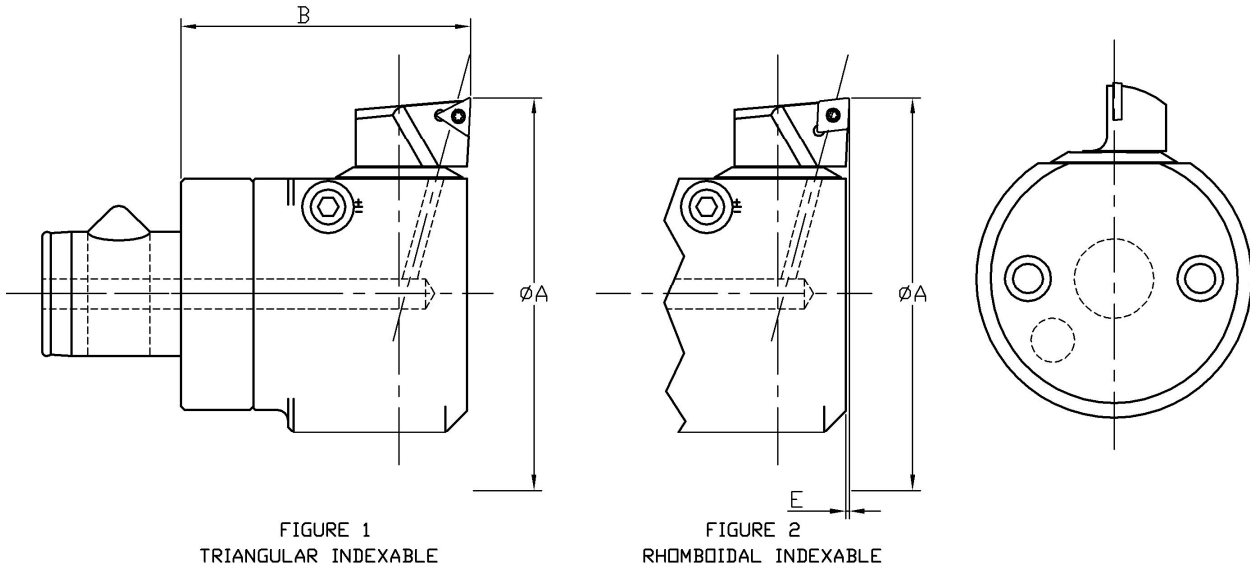


FIGURE 1
TRIANGULAR INDEXABLE

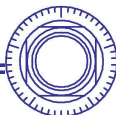
FIGURE 2
RHOMBOIDAL INDEXABLE

Boring Ring Details							
Boring Range		E Min	B Length	Cartridge Unit	Insert Type		Microbore Ring Part No.
Min	Max				Fig.	Insert.	
93.0	135.0	1.0	80.0	M072-0L095TC-100GA	1	TC__1102__	RGA093-80-ABS63
				M072-0L095C09-100GA	2	CC__09T3__	
131.0	173.0	1.0	80.0	M072-0L095TC-100GA	1	TC__1102__	RGA131-80-ABS63
				M072-0L095C09-100GA	2	CC__09T3__	
169.0	211.0	1.0	80.0	M072-0L095TC-100GA	1	TC__1102__	RGA169-80-ABS63
				M072-0L095C09-100GA	2	CC__09T3__	

STANDARD MICROBORE GEAR ADJUST ACCESSORIES			
Sold only as a set. Please quote Order No.			
IDENTIFY REQUIRED SPARES FROM THE UNIT SIZE			
UNIT SIZE	WORM	SPACER	SNAP RING
M072	NR7821 SPARES SET		G.A. WRENCH
			5842

REFER TO ADAPTOR RANGE CATALOGUE FOR ABS® 63 COMPATIBLE MODULAR ADAPTORS.

MICROBORE STRONGLY ADVISE THAT ANY RECONDITIONING WORK ON GEAR ADJUST BORING BARS OR BORING RINGS IS CARRIED OUT BY FACTORY TRAINED TECHNICIANS.



MICROBORE RGA GEAR ADJUST MODULAR BORING RINGS



Supplied with thro' coolant hole.
For use on ABS® 80 compatible adaptors

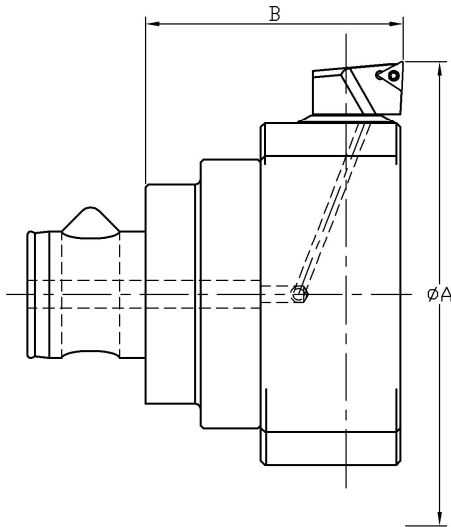


FIGURE 1
TRIANGULAR INDEXABLE

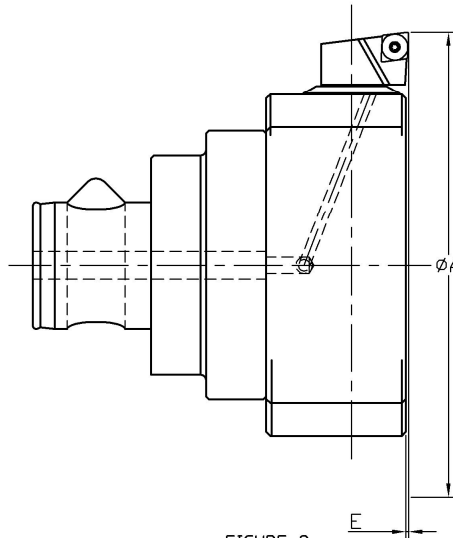
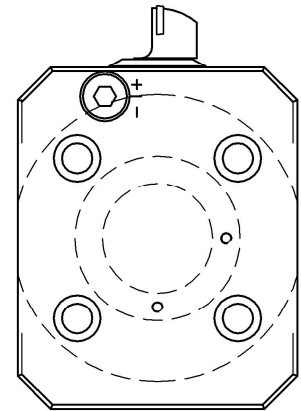


FIGURE 2
RHOMBOIDAL INDEXABLE



Boring Ring Details							
Boring Range		E Min	B Length	Cartridge Unit	Insert Type		Microbore Ring Part No.
A					Fig.	Insert.	
Min	Max						
169.0	211.0	1.0	90.0	M072-0L095TC-100GA	1	TC__1102__	RGA169-90-ABS80
				M072-0L095C09-100GA	2	CC__09T3__	
210.0	252.0	1.0	90.0	M072-0L095TC-100GA	1	TC__1102__	RGA210-90-ABS80
				M072-0L095C09-100GA	2	CC__09T3__	
251.0	293.0	1.0	90.0	M072-0L095TC-100GA	1	TC__1102__	RGA251-90-ABS80
				M072-0L095C09-100GA	2	CC__09T3__	
292.0	334.0	1.0	90.0	M072-0L095TC-100GA	1	TC__1102__	RGA292-90-ABS80
				M072-0L095C09-100GA	2	CC__09T3__	
333.0	375.0	1.0	90.0	M072-0L095TC-100GA	1	TC__1102__	RGA333-90-ABS80
				M072-0L095C09-100GA	2	CC__09T3__	
374.0	416.0	1.0	90.0	M072-0L095TC-100GA	1	TC__1102__	RGA374-90-ABS80
				M072-0L095C09-100GA	2	CC__09T3__	
415.0	475.0	1.0	90.0	M072-0L095TC-100GA	1	TC__1102__	RGA415-90-ABS80
				M072-0L095C09-100GA	2	CC__09T3__	

STANDARD MICROBORE GEAR ADJUST ACCESSORIES				
	Sold only as a set. Please quote Order No.			
IDENTIFY REQUIRED SPARES FROM THE UNIT SIZE				
UNIT SIZE	WORM	SPACER	SNAP RING	G.A. WRENCH
M072	NR7821 SPARES SET			5842

REFER TO ADAPTOR RANGE CATALOGUE FOR ABS® 80 COMPATIBLE MODULAR ADAPTORS

