

MICROBORE STRAIGHT SHANK BORING BARS TO SUIT SQUARE MOUNTED UNITS

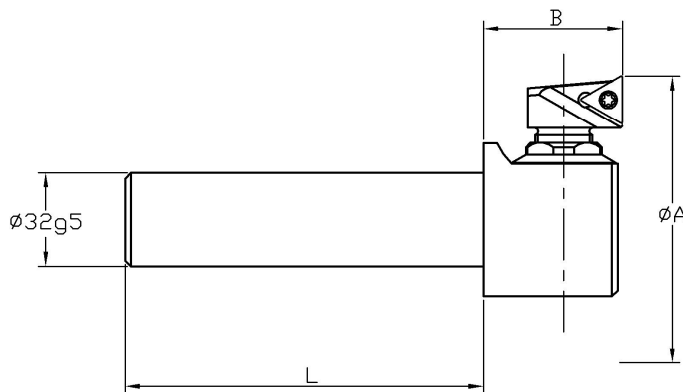


FIGURE 1
TRIANGULAR INDEXABLE

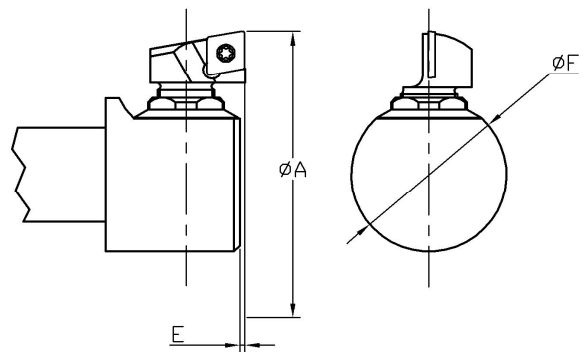


FIGURE 2
RHOMBOIDAL INDEXABLE

Boring Bar									
Boring Range		B Head Length	E Min	F Head ϕ	L Length	Cartridge Unit	Insert Type		Microbore Bar Part No.
Min	Max						Fig.	Insert.	
36.5	49.0	42.0	1.0	25.0	165.0	M030BS090T09-50	1	TC_ _0902_ _	MSS32BS363-42
						M030BS090C06-50	2	CC_ _0602_ _	
49.0	66.5	45.0	1.5	35.0	165.0	M050BS090T11-50	1	TC_ _1102_ _	MSS32BS490-45
						M050BS090C06-50	2	CC_ _0602_ _	
66.5	85.5	50.0	1.5	52.0	165.0	M070BS090T16-100	1	TC_ _16T3_ _	MSS32BS665-50
						M070BS090C12-100	2	CC_ _1204_ _	
85.0	122.5	50.0	2.0	65.0	165.0	M072-0L095TC-100	1	TC_ _1102_ _	MSS32BS850-50
						M072-0L095C09-100	2	CC_ _09T3_ _	

REFER TO MICROBORE UNIT RANGE CATALOGUE FOR STYLES OF CARTRIDGES AVAILABLE.

